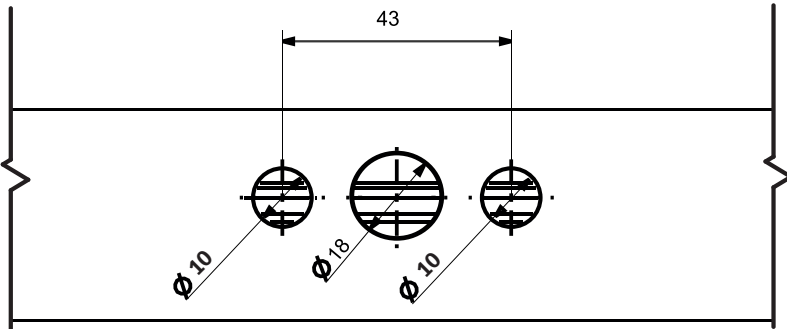


## MECHANISM WITH CENTERING TOWERS

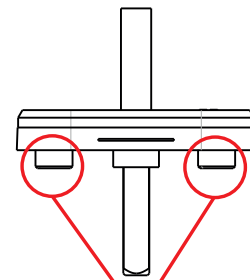


## CLACK system



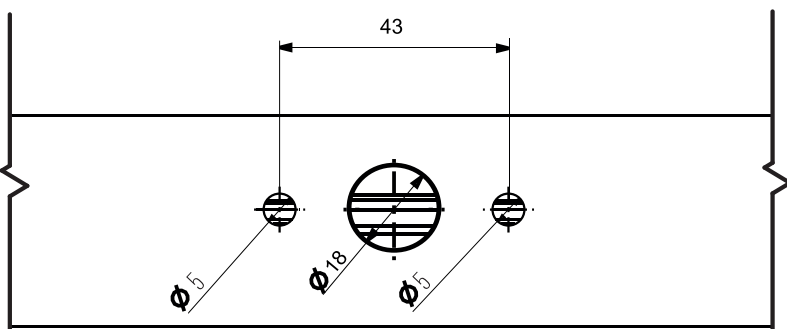
CENTERING TOWERS

## DK system



CENTERING TOWERS

## MECHANISM WITH NO CENTERING TOWERS

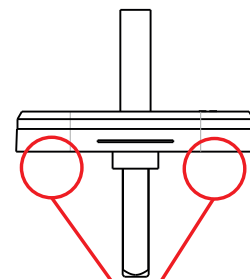


## CLACK system



NO CENTERING TOWERS

## DK system



NO CENTERING TOWERS